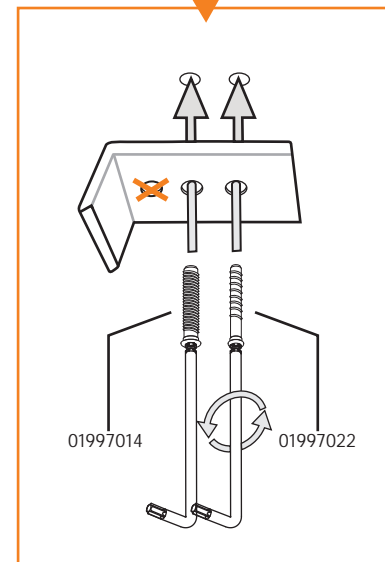
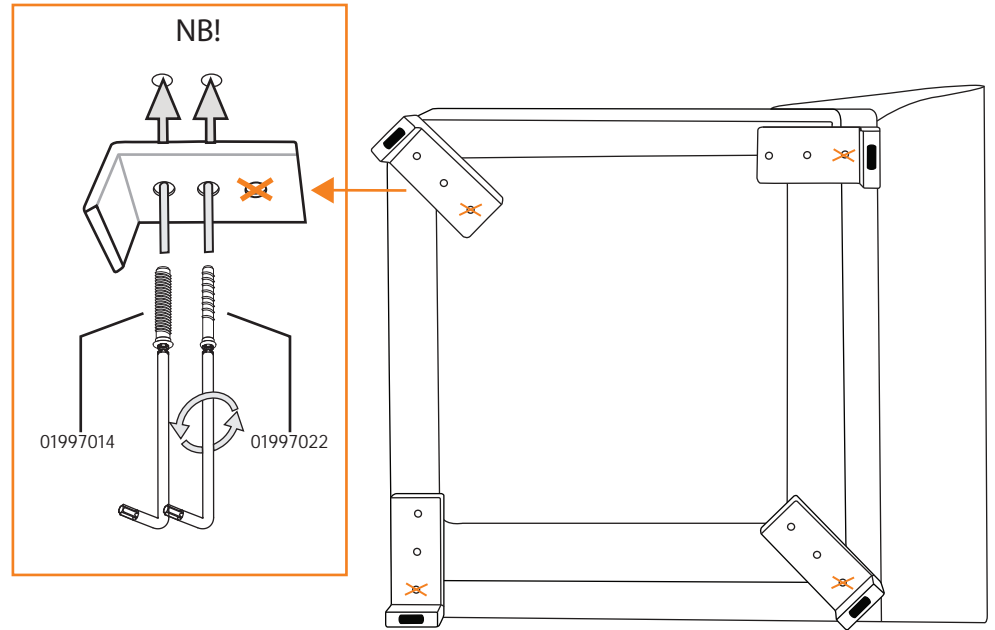
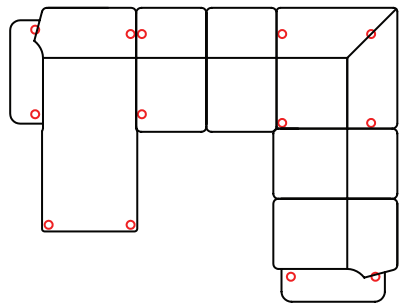
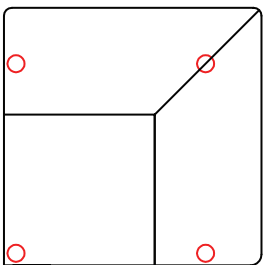
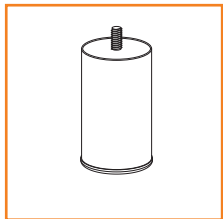
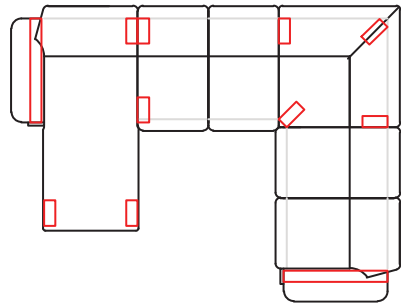
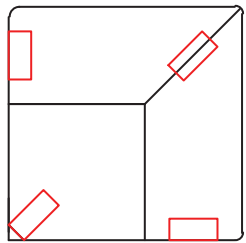
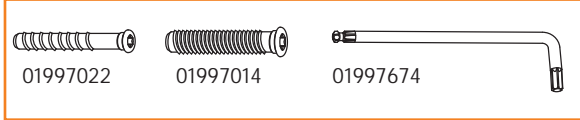
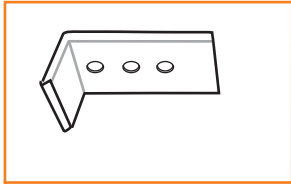
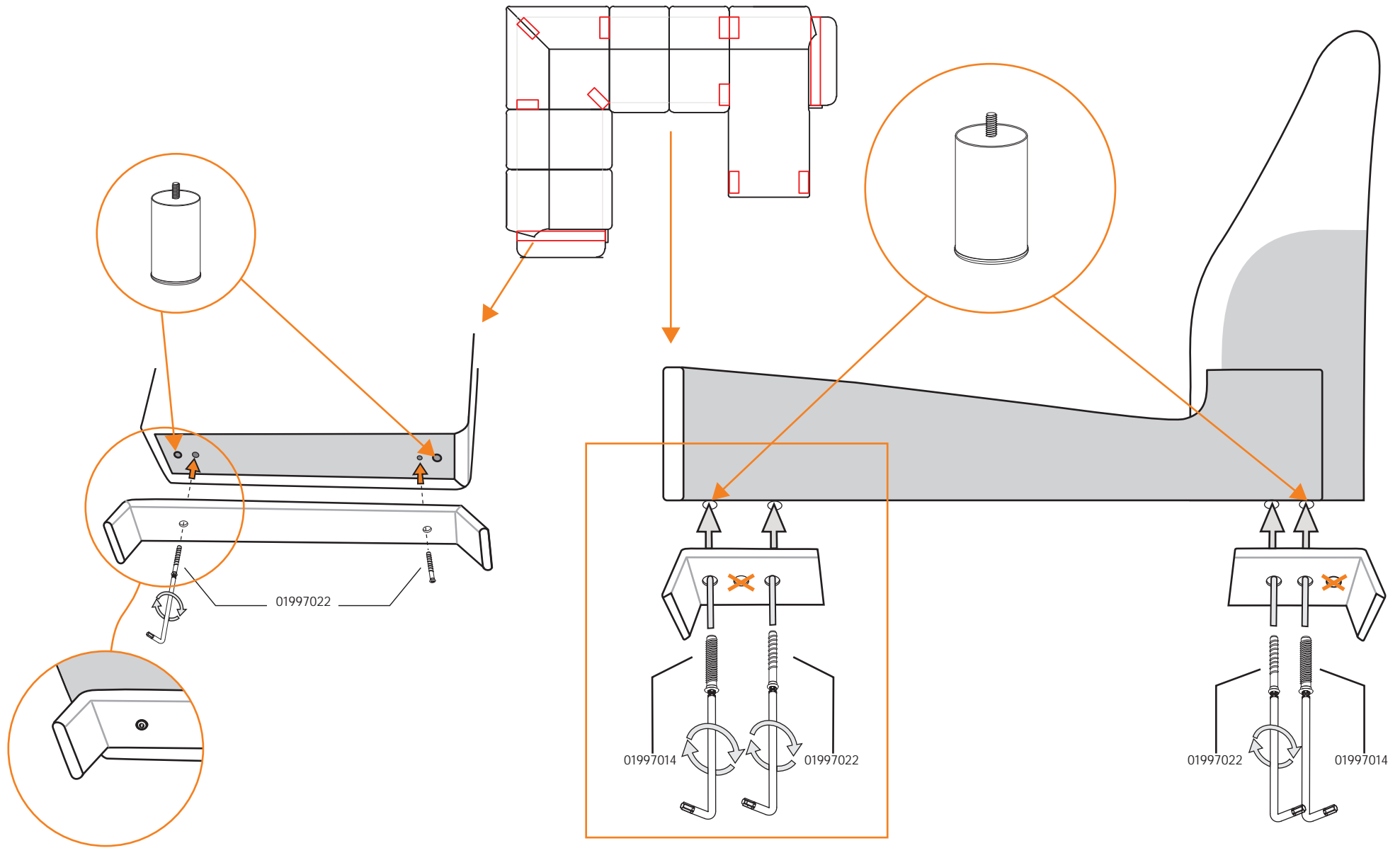
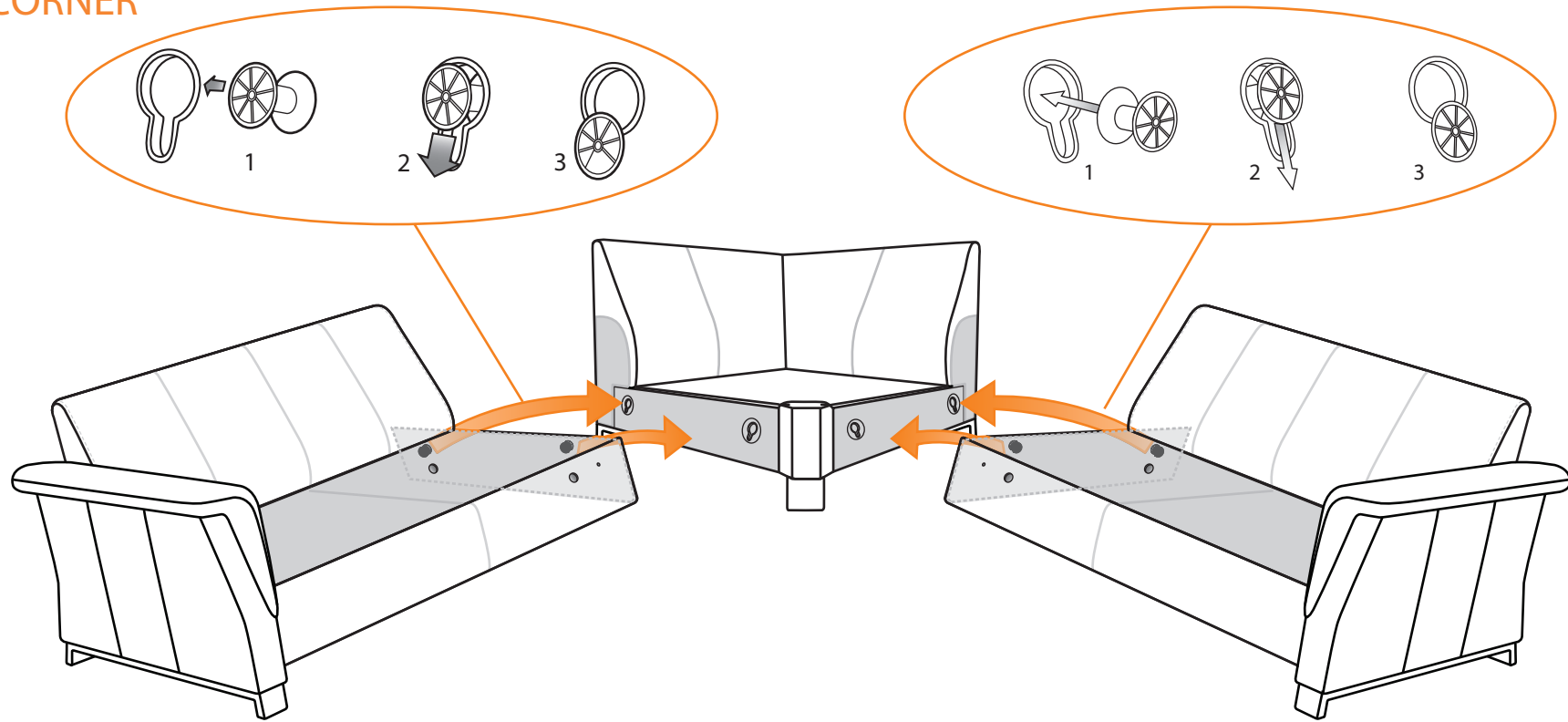


Assembly Stressless® E40 Corner





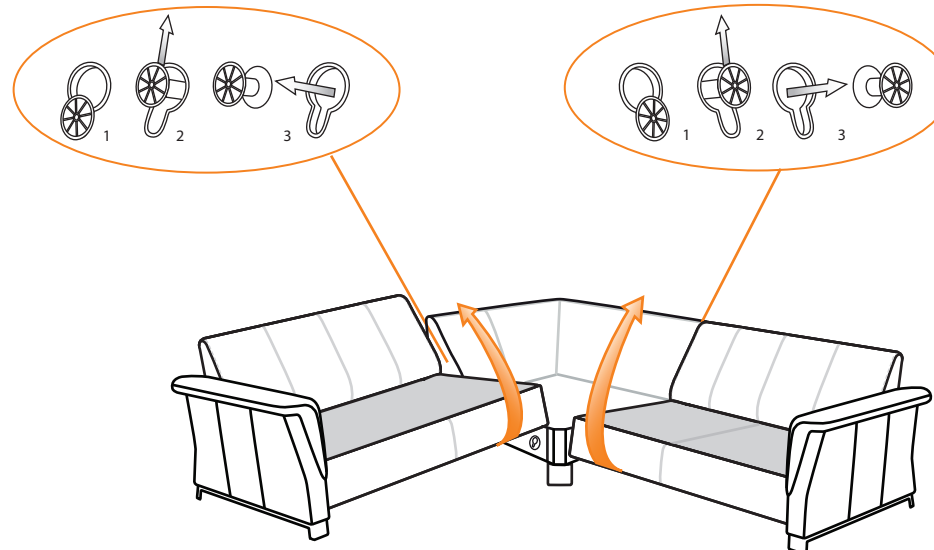
E 40 CORNER



DEMONTING STRESSLESS E40 CORNER

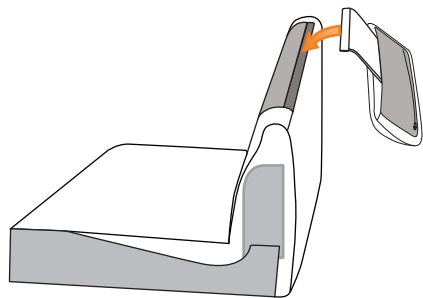


2 stk. personer for å demontere

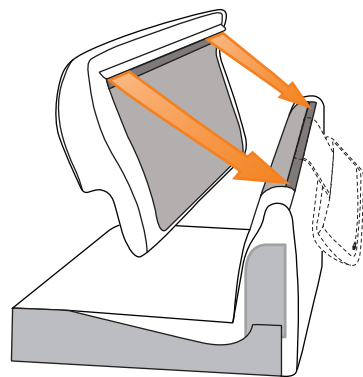




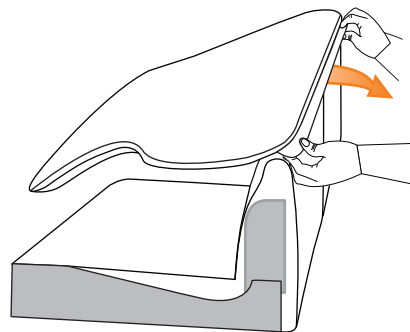
Placement for cushions



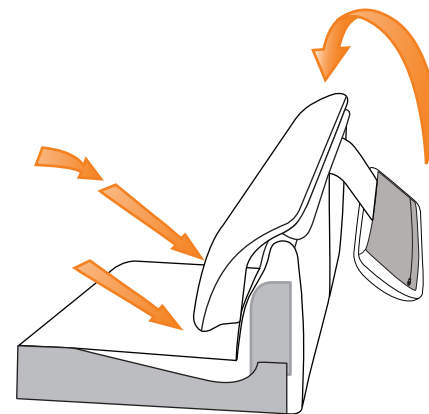
1



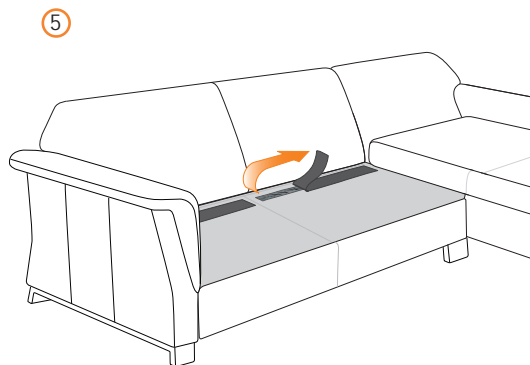
2



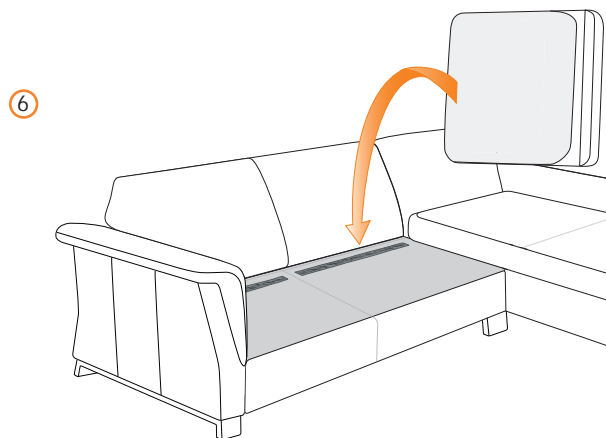
3



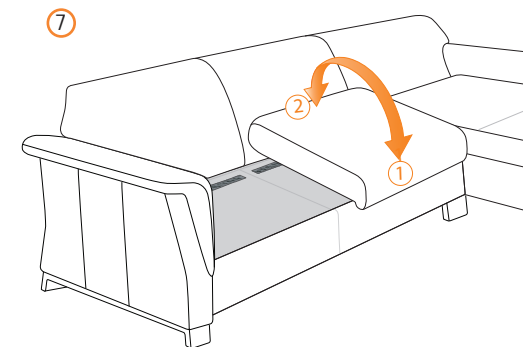
4



5



6



7

